

Testing Accessories



STATES®

TEST PADDLES

The 10 and 14 pole potential test paddles are feature packed and have been designed to make a test technician's job easier.

Handle – use one hand to connect to test switch

Labeled – locate connector to corresponding switch

Use for STATES FMS Test Switch and most competitor 10 pole switches.

Part No. V1TP10 - 10 Pole Test Paddle

Part No. FTP14 - 14 Pole Test Paddle

The FTP14 is only compatible with the STATES FMS 14 pole test switches.



10 Pole Test Paddle



10-32 Thread Stud

The TPA10 Test Paddle Attachment gives you more ways to connect when using the STATES FTP10, 10 Pole Test Paddle, for testing.

Part No. TPA10 - 10 Pole Test Paddle Attachment



Part No. 677099 - Test Paddle Knobs



Test Paddle Knob with brass insert includes a test jack receptacle that accommodates both banana and safety plugs on top and a 10-32 thread on the bottom to accommodate lug adapters.



14 Pole Test Paddle

The STATES V1TP10 & FTP14 are now UL recognized components with UL File No. E469997

FMS 10 POLE TEST LEAD KIT



This kit can be used with STATES FMS 10 Pole Test Switches as well as many competitor 10 pole test switches.

To order the kit above, please use Part No. FTPKIT-V1

Part No. FTPKIT-V1 contains the following

Item	Part No.	Description	QTY
A	V1TP10	FMS 10 Pole Potential Test Paddle	1
B	150LS	I PROBE - (15000) Leads W/Red and Black Lugs	1
C	620088	*15923 - Test lead, red, 6 mm dia., 150 cm long, use with current outputs (up to 30 Amps) CAT II Insulation *15924 - Test lead, black, 6 mm dia., 150 cm long, use with current outputs (up to 30 Amps) CAT II Insulation *We do not sell the 15923 and 15924 individually, only combined/twisted into Part No. 620088.	1
D	684025	Test lead, red, 200 cm long, use with voltage / current (up to 15 Amps) and timer, CAT II insulation	1
D	684026	Test lead, black, 200 cm long, use with voltage / current (up to 15 Amps) outputs and timer, CAT II insulation	1
E	684027	Lug adapter, red, 6.2 mm, use with voltage / current (up to 30 Amps) outputs and timer, CAT II Insulation	1
E	684028	Lug adapter, black, 6.2 mm, use with voltage / current (up to 30 Amps) outputs and timer, CAT II Insulation	1
F	684029	Lug adapter, red, 4.1 mm, use with voltage / current (up to 20 Amps) outputs and timer, CAT II Insulation	1
F	684030	Lug adapter, black, 4.1 mm, use with voltage / current (up to 20 Amps) outputs and timer, CAT II Insulation	1

FMS 10 POLE TEST LEAD KIT WITH ATTACHMENT



This kit can be used with STATES FMS 10 Pole Test Switches as well as many competitor 10 pole test switches.

To order the kit above, please use Part No. CV1TPKIT

Part No. CV1TPKIT contains the following

Item	Part No.	Description	QTY
A	V1TP10	FMS 10 Pole Potential Test Paddle	1
B	150LS	I PROBE - (15000) Leads W/Red and Black Lugs	1
C	620088	*15923 - Test lead, red, 6 mm dia., 150 cm long, use with current outputs (up to 30 Amps) CAT II Insulation *15924 - Test lead, black, 6 mm dia., 150 cm long, use with current outputs (up to 30 Amps) CAT II Insulation *We do not sell the 15923 and 15924 individually, only combined/twisted into Part No. 620088.	1
D	684025	Test lead, red, 200 cm long, use with voltage / current (up to 15 Amps) and timer, CAT II insulation	1
D	684026	Test lead, black, 200 cm long, use with voltage / current (up to 15 Amps) outputs and timer, CAT II insulation	1
E	684027	Lug adapter, red, 6.2 mm, use with voltage / current (up to 30 Amps) outputs and timer, CAT II Insulation	1
E	684028	Lug adapter, black, 6.2 mm, use with voltage / current (up to 30 Amps) outputs and timer, CAT II Insulation	1
F	684029	Lug adapter, red, 4.1 mm, use with voltage / current (up to 20 Amps) outputs and timer, CAT II Insulation	1
F	684030	Lug adapter, black, 4.1 mm, use with voltage / current (up to 20 Amps) outputs and timer, CAT II Insulation	1
G	TPA10	Test paddle attachment	1
H	DK-41	Black ABS plastic 3/4 10-32 knurled knob w/brass insert	10

FMS 14 POLE TEST LEAD KIT



This kit can be used with STATES FMS 14 Pole Test Switches.

To order the kit above, please use Part No. FTPKIT14

Part No. FTPKIT14 contains the following

Item	Part No.	Description	QTY
A	FTP14	FMS 14 Pole Potential Test Paddle	1
B	150LS	I PROBE - (15000) Leads W/Red and Black Lugs	1
C	620088	*15923 - Test lead, red, 6 mm dia., 150 cm long, use with current outputs (up to 30 Amps) CAT II Insulation *15924 - Test lead, black, 6 mm dia., 150 cm long, use with current outputs (up to 30 Amps) CAT II Insulation *We do not sell the 15923 and 15924 individually, only combined/twisted into Part No. 620088.	1
D	684025	Test lead, red, 200 cm long, use with voltage / current (up to 15 Amps) and timer, CAT II insulation	1
D	684026	Test lead, black, 200 cm long, use with voltage / current (up to 15 Amps) outputs and timer, CAT II insulation	1
E	684027	Lug adapter, red, 6.2 mm, use with voltage / current (up to 30 Amps) outputs and timer, CAT II Insulation	1
E	684028	Lug adapter, black, 6.2 mm, use with voltage / current (up to 30 Amps) outputs and timer, CAT II Insulation	1
F	684029	Lug adapter, red, 4.1 mm, use with voltage / current (up to 20 Amps) outputs and timer, CAT II Insulation	1
F	684030	Lug adapter, black, 4.1 mm, use with voltage / current (up to 20 Amps) outputs and timer, CAT II Insulation	1

V1AT10 TEST PADDLE ATTACHMENT KIT

Part No. V1AT10

Consists of one V1TP10 test paddle, one TPA10, and 10pcs DK-41 black knobs. (Green paddle knobs are not included in this kit).

All items can also be sold separately.



BINDING POST

PHENOLIC HEAD BINDING POST

Part No. 40091B (black)

The body is a bolt with internal and external thread and can be fastened securely to the switchboard or other base by one hex nut. The binding head and stud collar are made of molded phenolic. The head screws into the body with a long thread that makes a good contact and prevents the tendency of the head to fall off and become lost. All metal parts are brass.



KNOBS

PHENOLIC KNURLED KNOBS

Part No. DK-41

ABS Plastic Knurled Knob
Black Phenolic Knurled Knob
3/4 10-32 w/brass insert.



JUMPER STRIP

TBT168 - Jumper Bar (or Jumper Strip)

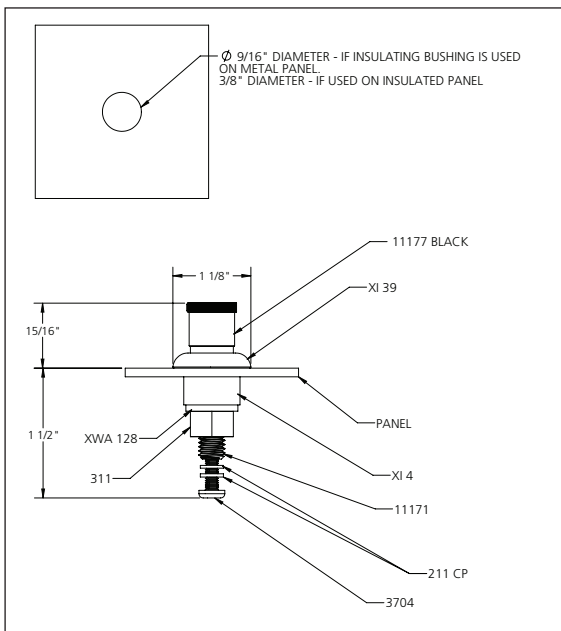
Part No. TBT168

(The TBT168, which is 3ft long (58 poles), can be cut to the required length by the user)

This nickel-plated jumper strip is made specially for the STATES Type NT & ZWM Terminal Blocks and the STATES Type MTS Test Switches.



Jumper bars use the terminal block or test switch openings for linking connections together. Multi-pole jumpers can be cut into a smaller number of poles to accommodate your needs. These have a rating of 600VAC and 30A.



PLUGS

TEST PLUG

Part No. 15000



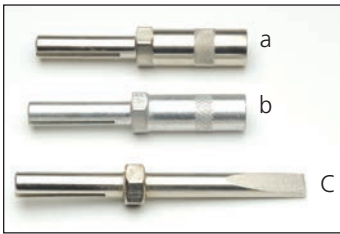
Used in connection with the current shunt jack on STATES test switches, this plug provides a safe, quick connection for indicating or testing instruments without opening current transformer secondaries or disturbing permanent wiring. The plug is easily inserted at right angles to the test block.

INSULATED SOCKET WRENCH



Part No. 16028

This compact, lightweight, 7 inch wrench with insulation to the socket head has a hollow shank that extends 2½ inches over a ⅜ inch stud and 1⅜ inches over a ⅝ inch stud. It is designed for use as a ½ inch socket wrench or as the handle for the following screwdriver and socket adapters:



(a) Socket, ⅜ in.
Part No. 16027

(b) Socket, ⅝ in.
Part No. 16025

(c) Screwdriver
Part No. 16022

TEST LEADS



PROBE

Part No. 150LS

1 probe - 15000 with leads, red and black lugs.

Part No. 150LB

1 probe - 15000 with leads, red and black jacks.

(Not pictured)



620088

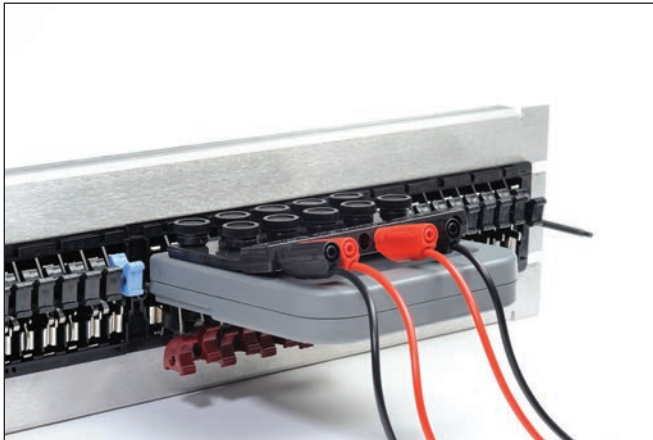
Consists of a twisted black and red test lead wire, 6 mm dia., 150 cm long, use with current outputs (up to 30 amps) CAT II insulation.



684025 (RED) & 684026 (BLACK)

684025 – Test lead, red, 200 cm long, use with voltage/current (up to 15 amps) outputs and timer, CAT II insulation.

684026 – Test lead, black, 200 cm long, use with voltage/ current (up to 15 amps) outputs and timer, CAT II insulation.



V1AT10 in use with 684025 & 684026 test leads



V1TP10 in use with TPA10 and 620088, twisted test lead wire